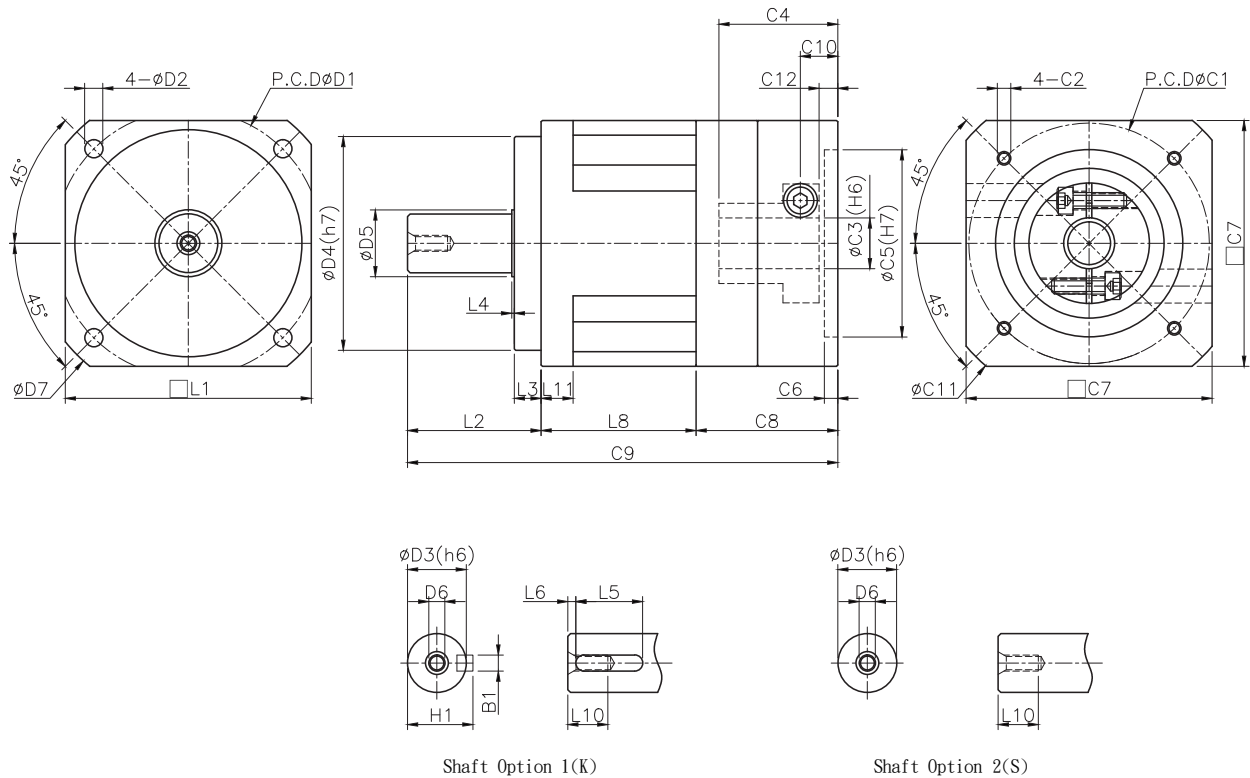


# 尺寸圖 DRAWING & DEMENSION



(單位：mm)  
(Unit：mm)

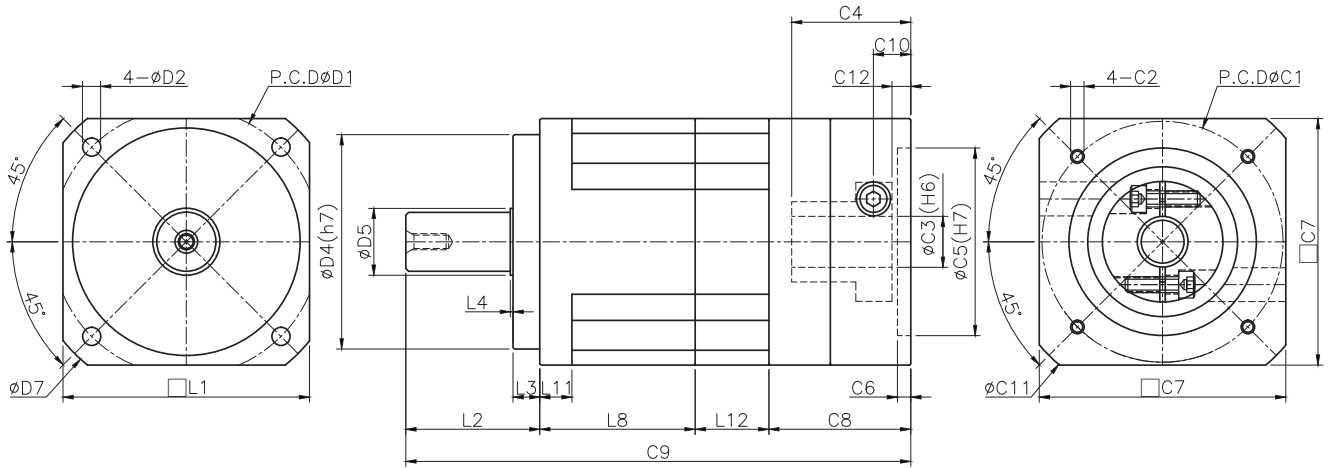
尺寸 Size	MF40H-L1	MF60H-L1	MF90H-L1	MF120H-L1	MF150H-L1	MF180H-L1
D1	50	70	100	130	165	215
D2	3.5	5.5	6.8	8.7	11	13
D3	13	16	22	32	38(40)	50(55)
D4	35	50	80	110	130	160
D5	15	18	25	35	40(45)	60
D6	M4×0.7P	M5×0.8P	M6×1.0P	M8×1.25P	M12×1.75P	M12×1.75P(M20×2.5P)
D7	55	80	118	158	190	245
L1	42	60	92	120	142	182
L2	25.5	35.5	50	65	86	105
L3	5.5	7.5	10	12	15	20
L4	0.5	1.5	1	1	3	2
L5	15	20	25	40	45	70
L6	2	3	5	3	5	6
L8	33.5	49	58	69	79	85.5
L10	8	12	15	20	32	42
L11	7	10	12	15	12	15
C1	46	70	90	145	200	200
C2	M4x0.7P(MAX)	M5x0.8P(MAX)	M6x1.0P(MAX)	M8x1.25P(MAX)	M12x1.75P(MAX)	M12x1.75P(MAX)
C3	5-8	6-14	14-19	16-24	19-42	19-42
C4	28	33	39	65	88	85
C5	30	50	70	110	114.3	114.3
C6	4	4	5	7	6	7
C7	42	62	92	120	176	182
C8	34	39.5	49	78	98	100
C9	93	124	157	212	263	290.5
C10	12.5	13	15	28.5	47	33.5
C11	56	80	120	160	230	240
C12	7.5	7	7	20	35	17
B1	4	5	6	10	10(12)	14(16)
H1	14.5	18	24.5	35	41(43)	53.5(59)

\* 註：C1-C6 為標準品最大尺寸，為公制標準馬達連接板尺寸，尺寸依搭配的馬達而改變。如超出尺寸屬特殊規格請與我司聯絡。

\* Note：C1-C6 are metric standard specific dimensions of motor. Please contact us at vgm@vgmgear.com for other specification or customize product.

# 尺寸圖

## DRAWING & DEMENSION



Shaft Option 1(K)

Shaft Option 2(S)

(單位：mm)  
(Unit：mm)

尺寸Size	MF40H-L2	MF60H-L2	MF90H-L2	MF120H-L2	MF150H-L2	MF180H-L2
D1	50	70	100	130	165	215
D2	3.5	5.5	6.8	8.7	11	13
D3	13	16	22	32	38(40)	50(55)
D4	35	50	80	110	130	160
D5	15	18	25	35	40(45)	60
D6	M4×0.7P	M5×0.8P	M6×1.0P	M8×1.25P	M12×1.75P	M12×1.75P(M20×2.5P)
D7	55	80	118	158	190	245
L1	42	60	92	120	142	182
L2	25.5	35.5	50	65	86	105
L3	5.5	7.5	10	12	15	20
L4	0.5	1.5	1	1	3	2
L5	15	20	25	40	45	70
L6	2	3	5	3	5	6
L8	33.5	49	58	69	79	85.5
L10	8	12	15	20	32	42
L11	7	10	12	15	12	15
L12	19	16	27.5	33.2	46	51.5
C1	46	70	90	145	200	200
C2	M4x0.7P(MAX)	M5x0.8P(MAX)	M6x1.0P(MAX)	M8x1.25P(MAX)	M12x1.75P(MAX)	M12x1.75P(MAX)
C3	5-8	6-14	14-19	16-24	19-42	19-42
C4	28	33	39	65	88	85
C5	30	50	70	110	114.3	114.3
C6	4	4	5	7	6	7
C7	42	62	92	120	176	182
C8	34	39.5	49	78	98	100
C9	112	140	184.5	245.2	309	342
C10	12.5	13	15	28.5	47	33.5
C11	56	80	120	160	230	240
C12	7.5	7	7	20	35	17
B1	4	5	6	10	10(12)	14(16)
H1	14.5	18	24.5	35	41(43)	53.5(59)

\* 註：C1-C6 為標準品最大尺寸，為公制標準馬達連接板尺寸，尺寸依搭配的馬達而改變。如超出尺寸屬特殊規格請與我司聯絡。

\* Note：C1-C6 are metric standard specific dimensions of motor. Please contact us at vgm@vgmgear.com for other specification or customize product.