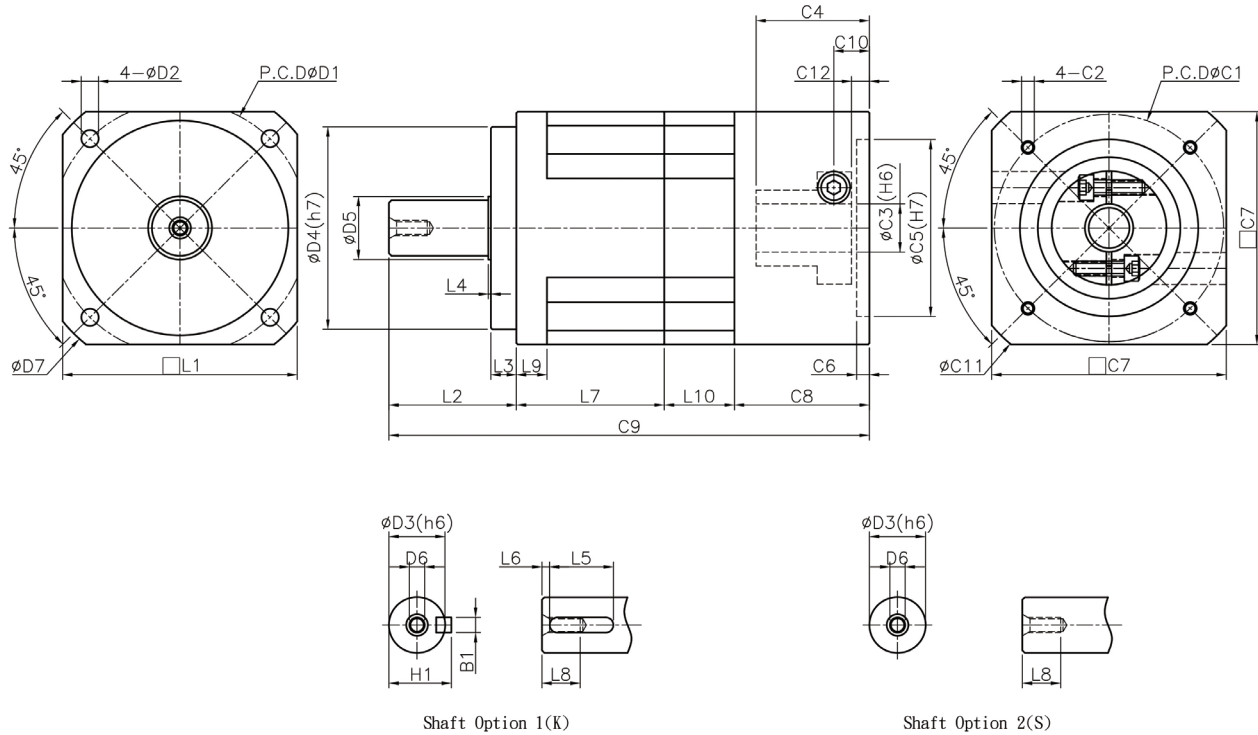


Symbol & Size	KH40-L1	KH60-L1	KH90-L1	KH120-L1	KH150-L1	KH180-L1	
<b>D</b>	D1	50	70	100	130	215	
	D2	3.5	5.5	6.8	8.7	11	13
	D3	13	16	22	32	38 (40)	50 (55)
	D4	35	50	80	110	130	160
	D5	15	18	25	35	40 (45)	60
	D6	M4×0.7P	M5×0.8P	M6×1.0P	M8×1.25P	M12×1.75P	M12×1.75P
	D7	55	80	118	158	190	245
<b>L</b>	L1	42	60	92	120	142	182
	L2	25.5	35.5	50	65	86	105
	L3	5.5	7.5	10	12	15	20
	L4	0.5	1.5	1	1	3	2
	L5	15	20	25	40	45	70
	L6	2	3	5	3	5	6
	L7	33.5	49	58	69	79	85.5
	L8	8	12	15	20	32	42
	L9	7	10	12	15	12	15
<b>C</b>	C1	46	70	90	145	200	200
	C2	M4x0.7P	M5x0.8P	M6x1.0P	M8x1.25P	M12x1.75P	M12x1.75P
	C3	5-8	6-14	14-19	16-24	19-42	19-42
	C4	28	33	39	65	88	85
	C5	30	50	70	110	114.3	114.3
	C6	4	4	5	7	6	10
	C7	42	60	92	122	176	182
	C8	34	39.5	49	78	97.5	100
	C9	93	124	157	212	262.5	290.5
	C10	12.5	13	15	28.5	38.5	33.5
	C11	56	80	120	161.4	230	230
	C12	7.5	7	7	20	26.5	17
<b>B</b>	B1	4 <sup>-0.01</sup> <sub>-0.03</sub>	5 <sup>-0.01</sup> <sub>-0.03</sub>	6 <sup>-0.01</sup> <sub>-0.03</sub>	10 <sup>-0.02</sup> <sub>-0.05</sub>	10 <sup>-0.02</sup> <sub>-0.05</sub> (12)	14 <sup>-0.02</sup> <sub>-0.06</sub> (16)
<b>H</b>	H1	14.5	18	24.5	35	41 (43)	53.5 (59)

C1-C12 are standard metric motor connect flange dimensions, size may change by motor

( ) Optional size for output shaft



(Unit : mm)

Symbol & Size	KH40-L2	KH60-L2	KH90-L2	KH120-L2	KH150-L2	KH180-L2	
D	D1	50	70	100	130	215	
	D2	3.5	5.5	6.8	8.7	11	13
	D3	13	16	22	32	38 (40)	50 (55)
	D4	35	50	80	110	130	160
	D5	15	18	25	35	40 (45)	60
	D6	M4×0.7P	M5×0.8P	M6×1.0P	M8×1.25P	M12×1.75P	M12×1.75P
	D7	55	80	118	158	190	245
L	L1	42	60	92	120	142	182
	L2	25.5	35.5	50	65	86	105
	L3	5.5	7.5	10	12	15	20
	L4	0.5	1.5	1	1	3	2
	L5	15	20	25	40	45	70
	L6	2	3	5	3	5	6
	L7	33.5	49	58	69	79	85.5
	L8	8	12	15	20	32	42
	L9	7	10	12	15	12	15
	L10	19	16	27.5	33.2	46	51.5
C	C1	46	70	90	145	200	200
	C2	M4×0.7P	M5×0.8P	M6×1.0P	M8×1.25P	M12×1.75P	M12×1.75P
	C3	5-8	6-14	14-19	16-24	19-42	19-42
	C4	28	33	39	65	88	85
	C5	30	50	70	110	114.3	114.3
	C6	4	4	5	7	6	10
	C7	42	60	92	122	176	182
	C8	34	39.5	49	78	97.5	100
	C9	112	140	184.5	245.2	308.5	342
	C10	12.5	13	15	28.5	38.5	33.5
	C11	56	80	120	161.4	230	230
	C12	7.5	7	7	20	26.5	17
B	B1	4	5 <sup>-0.01</sup> <sub>-0.03</sub>	6 <sup>-0.01</sup> <sub>-0.03</sub>	10 <sup>-0.02</sup> <sub>-0.05</sub>	10 <sup>-0.02</sup> <sub>-0.05</sub> (12)	14 <sup>-0.02</sup> <sub>-0.06</sub> (16)
H	H1	14.5	18	24.5	35	41 (43)	53.5 (59)

C1-C12 are standard metric motor connect flange dimensions, actual size may change by motor

( ) Optional size for output shaft